

# RRU DOUBLE LIGHT POLE MOUNT

ONLY FITS ERICSSON EQUIPMENT

## RRU DOUBLE LIGHT POLE MOUNT

is designed for installation of two RRU units on mast, towers or other vertical structures.

### FLEXIBILITY

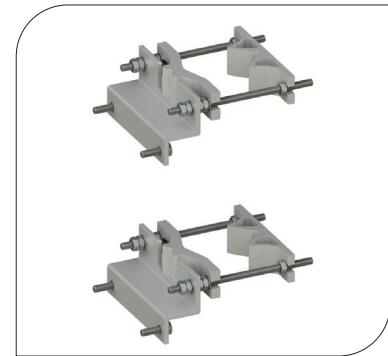
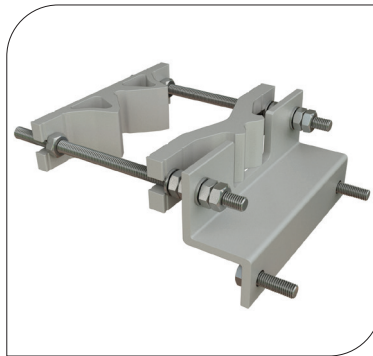
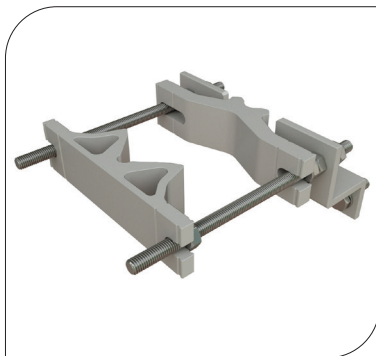
The support can be installed on a wide range of all common vertical structures such as round, square, angle etc.

### QUALITY

All components are made of anodized aluminum and acid proof stainless steel which gives the support excellent corrosion resistance.

### EASY ASSEMBLY

Handling and installation is very easy thanks to its light weight but also thanks to its clever design with elongated opening holes allowing the clamp to be opened and closed without any loose parts which rapidly speeds up the installation.



## ORDER AND TECHNICAL INFORMATION

DRAWING NO:	CD 991007			
FUNCTION DESCRIPTION:	RRU Double Light Pole Mount for installation on mast, tower or other vertical structures. Fits all common RRU:s in Ericsson RRU family and other units with horizontal distance c/c 146 mm (5 ¾") of the attachment points M10 on the backside of the unit such as RBS, PBC, GPE etc. (RRU not included)			
MOUNTING SPAN:	TUBES: ○	SQUARE PROFILES: □	90° ANGLE ∨	60° ANGLE ∨
Minimum	Ø25 mm (1,0 in)	35 x 35 mm (1,4 x 1,4 in)	35 x 35 mm (1,4 x 1,4 in)	40 mm (1,6 in) opening
Maximum	Ø120 mm (4,7 in)	90 x 90 mm (3,5 x 3,5 in)	90 x 90 mm (3,5 x 3,5 in)	100 mm (4,0 in) opening
PACKAGE DIMENSIONS:	LENGTH: 300 mm (11,8 in)	WIDTH: 95 mm (3,7 in)	HEIGHT: 95 mm (3,7 in)	WEIGHT: 3,0 kg (6,6 lb)

NOTE! RRU is not included.

Quality Design